

# +65°C AC Motor Start Capacitors

## Features-

- Plastic Case, Moisture and Oil Resistant
- Voltages from 110 VAC- 330 VAC
- 091A Meets EIA Type 1 Specifications
- 092A Meets EIA Type 2 Specifications
- UL Recognized Capacitors

## General Specifications-

**Operating Temperature:**  
-40 to +65°C

**Voltage Range:**  
110 - 330 VAC

**Capacitance Range:**  
21 - 1280 $\mu$ F

**Capacitance Tolerance:**  
-0%/+20%

**Operating Frequency:**  
50 - 60Hz

**Case Size:**  
8 Standard Sizes from  
1.437" x 2.750" - 2.562" x 4.365"

**Termination:**  
¼" Quick Disconnect Terminals (Std.)

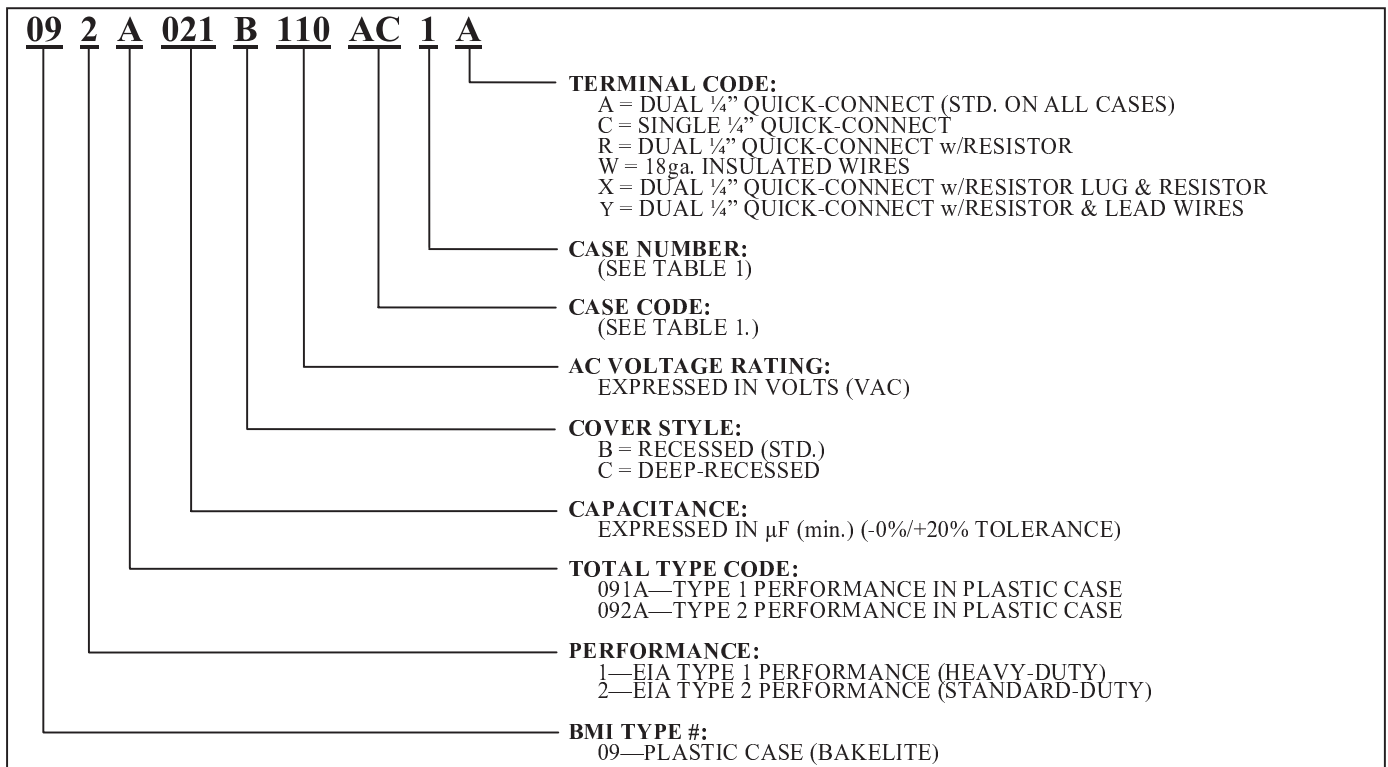
**Performance Specifications:**  
Meets Requirements of EIA-463-A  
091A Meets Type 1, Heavy Duty,  
Specifications  
092A Meets Type 2, Standard Duty,  
Specifications.



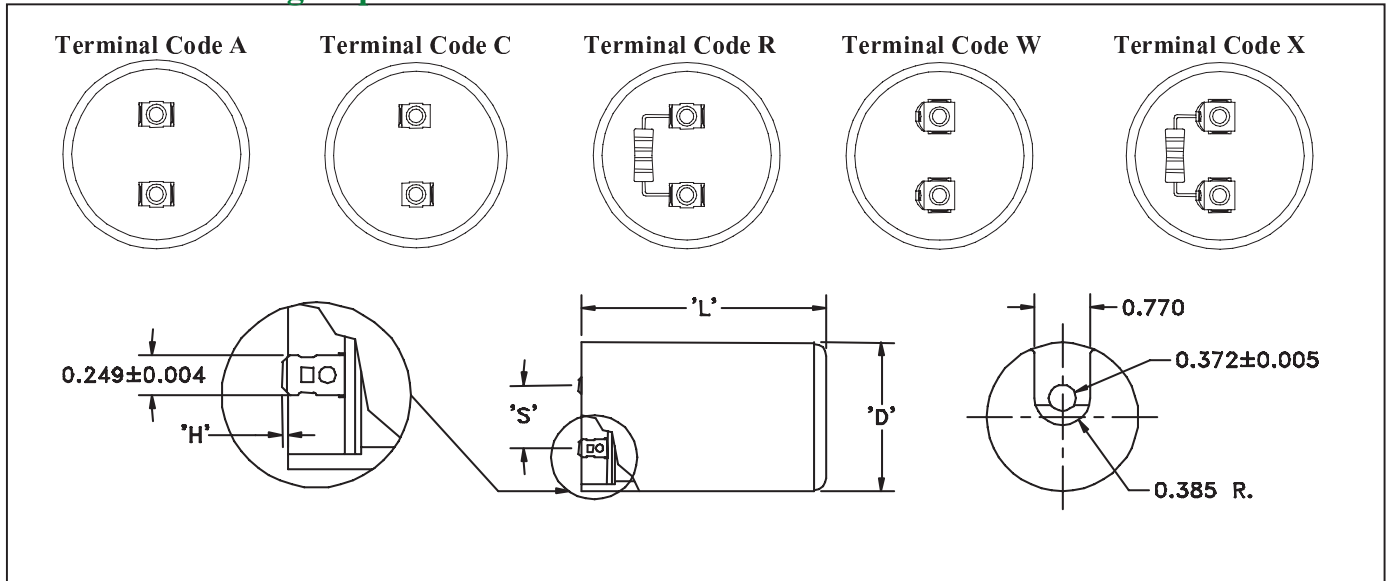
## Product Description:

BMI's type 091A and 092A AC Motor Start units are non-polarized aluminum electrolytic capacitors designed for intermittent AC duty. These capacitors are used in starting fractional horsepower, single-phase electric motors, as well as in gear motor applications. The capacitors are housed in rugged plastic cases, which require no added insulation. Mounting hardware, end caps and brackets are available to facilitate mounting. Units can be supplied with bleeder resistors and lead wires if required.

## PART NUMBER BREAK-DOWN:



## AC Motor Starting Capacitor Dimensions



**Table 1. Case Dimensions (in.)**

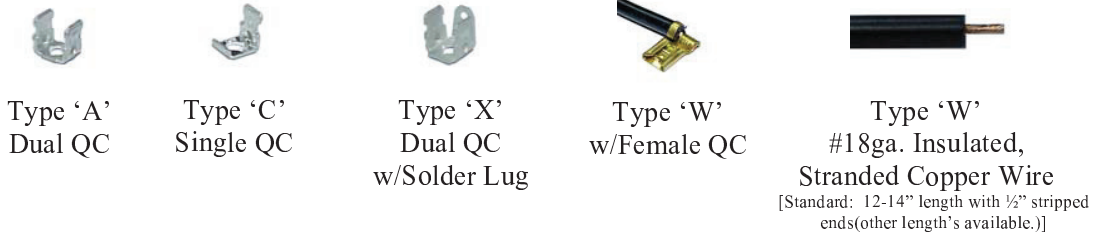
CASE CODE	CASE NUMBER	'D' $\pm$ 0.020	'L' $\pm$ 0.020	'S'	'H'
AC	1	1.437	2.750	0.500 nom	0.025 max
AD	2	1.437	3.365	0.500 nom	0.025 max
AE	3	1.437	4.365	0.500 nom	0.025 max
BD	4	1.812	3.365	0.625 nom	0.025 max
BE	5	1.812	4.365	0.625 nom	0.025 max
CD	6	2.062	3.365	0.875 nom	0.025 max
CE	7	2.062	4.365	0.875 nom	0.025 max
DE	8	2.562	4.365	0.875 nom	0.025 max

**STANDARD RATINGS FOR TYPE 091A EIA TYPE 1**

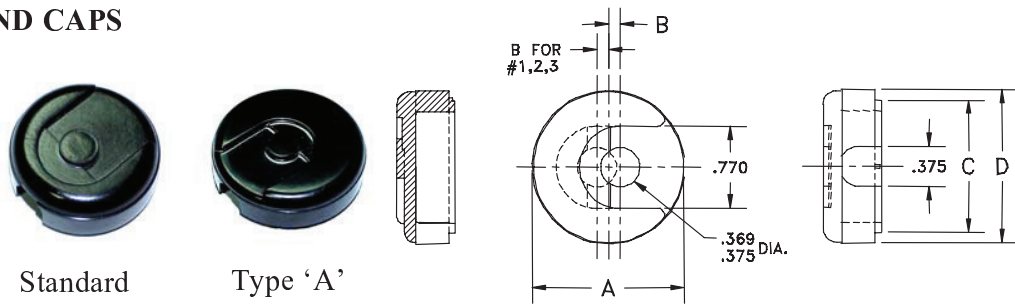
Capacitance ( $\mu$ F)		Catalog Number	Case Code	Optional Case Code(s)
min.	max.			
<b>250 VOLTS AC</b>				
21	25	091A021B250AC1A	1	-
25	30	091A025B250AC1A	1	-
30	36	091A030B250AD2A	2	1
36	43	091A036B250AD2A	2	1
43	52	091A043B250BD4A	4	1,2,3
47	56	091A047B250BD4A	4	2,3
53	64	091A053B250BD4A	4	2,3
64	77	091A064B250BD4A	4	-
72	86	091A072B250BD4A	4	-
88	106	091A088B250BE5A	5	4
108	130	091A108B250BE5A	5	4
124	149	091A124B250CE7A	7	4,5,6
130	156	091A130B250DE8A	8	5,6,7
145	174	091A145B250DE8A	8	6,7
161	193	091A161B250DE8A	8	7
189	227	091A189B250DE8A	8	7
216	259	091A216B250DE8A	8	7
233	280	091A233B250DE8A	8	7
270	324	091A270B250DE8A	8	7
<b>330 VOLTS AC</b>				
21	25	091A021B330AD2A	2	-
25	30	091A025B330AD2A	2	-
30	36	091A030B330BD4A	4	3
36	43	091A036B330BD4A	4	2,3
43	52	091A043B330BD4A	4	-
47	56	091A047B330BD4A	4	-
53	64	091A053B330BE5A	5	4
64	77	091A064B330BE5A	5	-
72	86	091A072B330BE5A	5	-
88	106	091A088B330CE7A	7	-
108	130	091A108B330DE8A	8	7
124	149	091A124B330DE8A	8	7
130	156	091A130B330DE8A	8	7
145	174	091A145B330DE8A	8	7
161	193	091A161B330DE8A	8	7
189	227	091A189B330DE8A	8	7

## AC MOTOR START MOUNTING ACCESSORIES

### TERMINALS

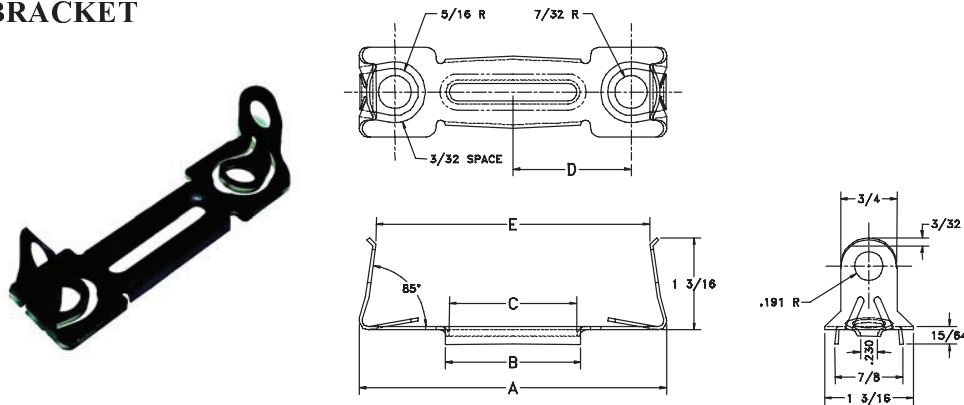


### END CAPS



Case #	P/N	Dia.	'A', ±0.010	'B', ±0.003	'C', ±0.005	'D', ±0.003
1,2,3	670400 0074	1 <sup>7</sup> / <sub>16</sub>	1.437	0.080	1.093	1.241
4&5	670400 0075	1 <sup>13</sup> / <sub>16</sub>	1.812	0.110	1.468	1.611
6&7	670400 0076	2 <sup>1</sup> / <sub>16</sub>	2.062	0.235	1.718	1.866
8	670400 0102C	2 <sup>9</sup> / <sub>16</sub>	2.562	0.485	2.218	2.366

### BRACKET



Case #	P/N	'A'	'B'	'C'	'D'	'E'
1	670036 0941	3.375	1.171	1.062	1.258	3.015
2,4,6	670036 0943	4.050	1.812	1.703	1.578	3.656
3,5,7,8	670036 0944	5.050	2.718	2.000	2.078	4.656

All dimensions ±0.015".

Material—0.042" Spring Steel.  
Finish—Black Parkerize.